

Total weight: 36000 kg

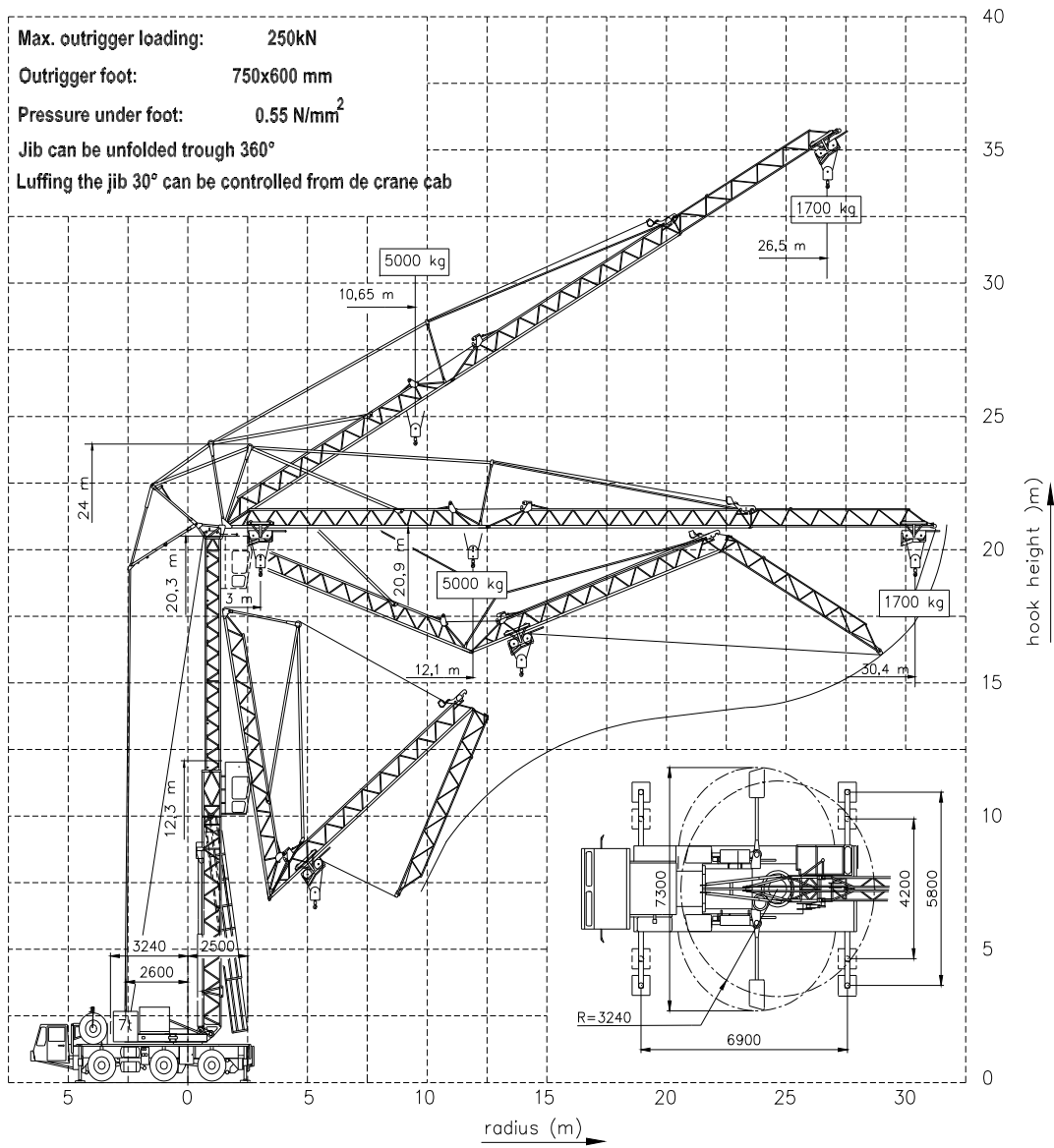
## SPIERINGS HYDRAULIC FOLDING CRANE

### SK 365 - AT3

**SPIERINGS  
KRANEN bv**

Merwedestraat 15  
5347 KZ Oss NL  
Tel. 0412-626964  
Fax 0412-645299

Max. outrigger loading: 250kN  
 Outrigger foot: 750x600 mm  
 Pressure under foot: 0.55 N/mm<sup>2</sup>  
 Jib can be unfolded trough 360°  
 Luffing the jib 30° can be controlled from de crane cab



# SPIERINGS

## HYDRAULIC FOLDING CRANE

### SK 365 - AT3

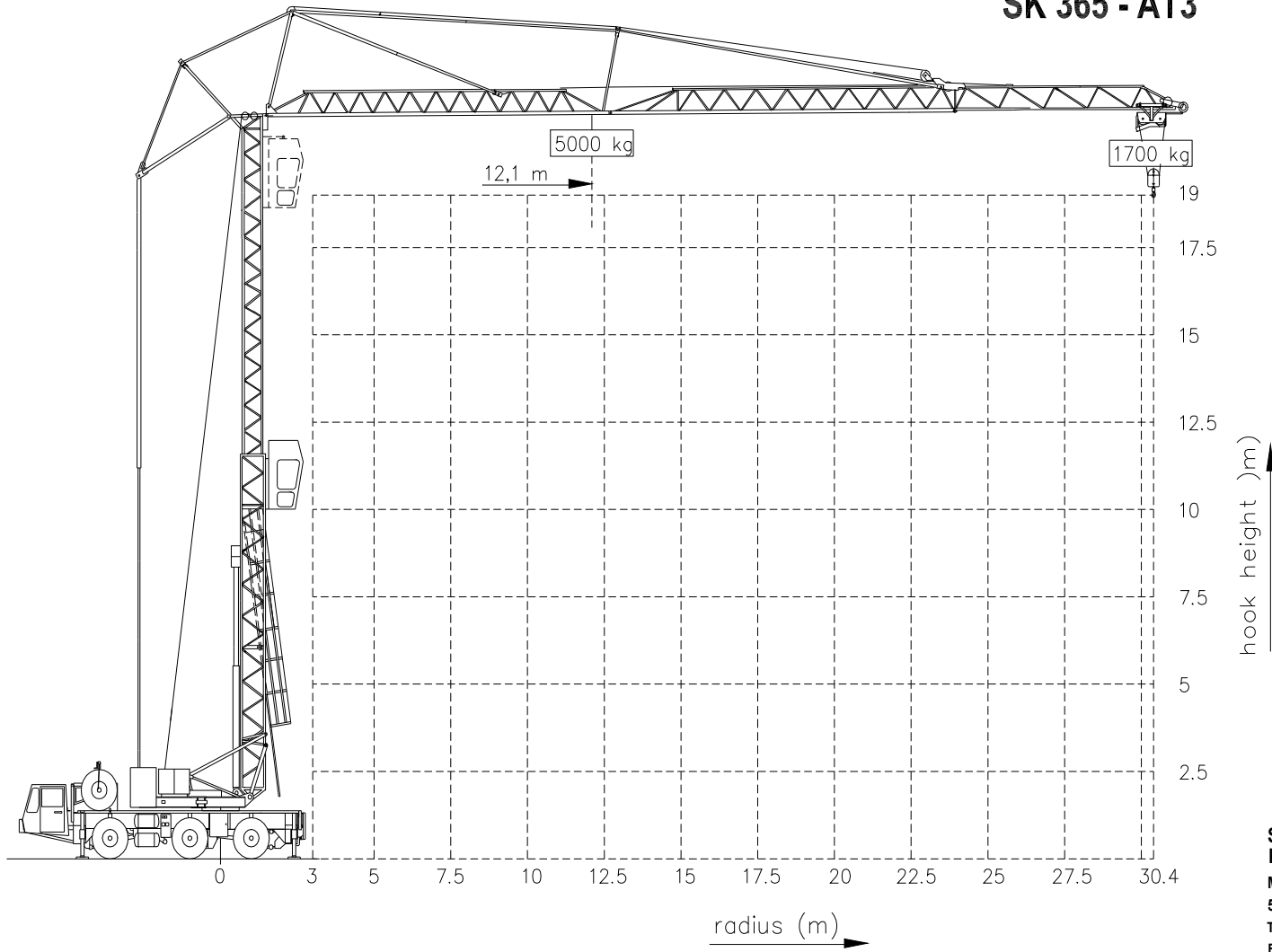


**SPIERINGS**  
**KRANEN bv**  
 Merwedestraat 15  
 5347 KZ Oss NL  
 Tel. 0412-626964  
 Fax 0412-645299

Changes subject to modifications

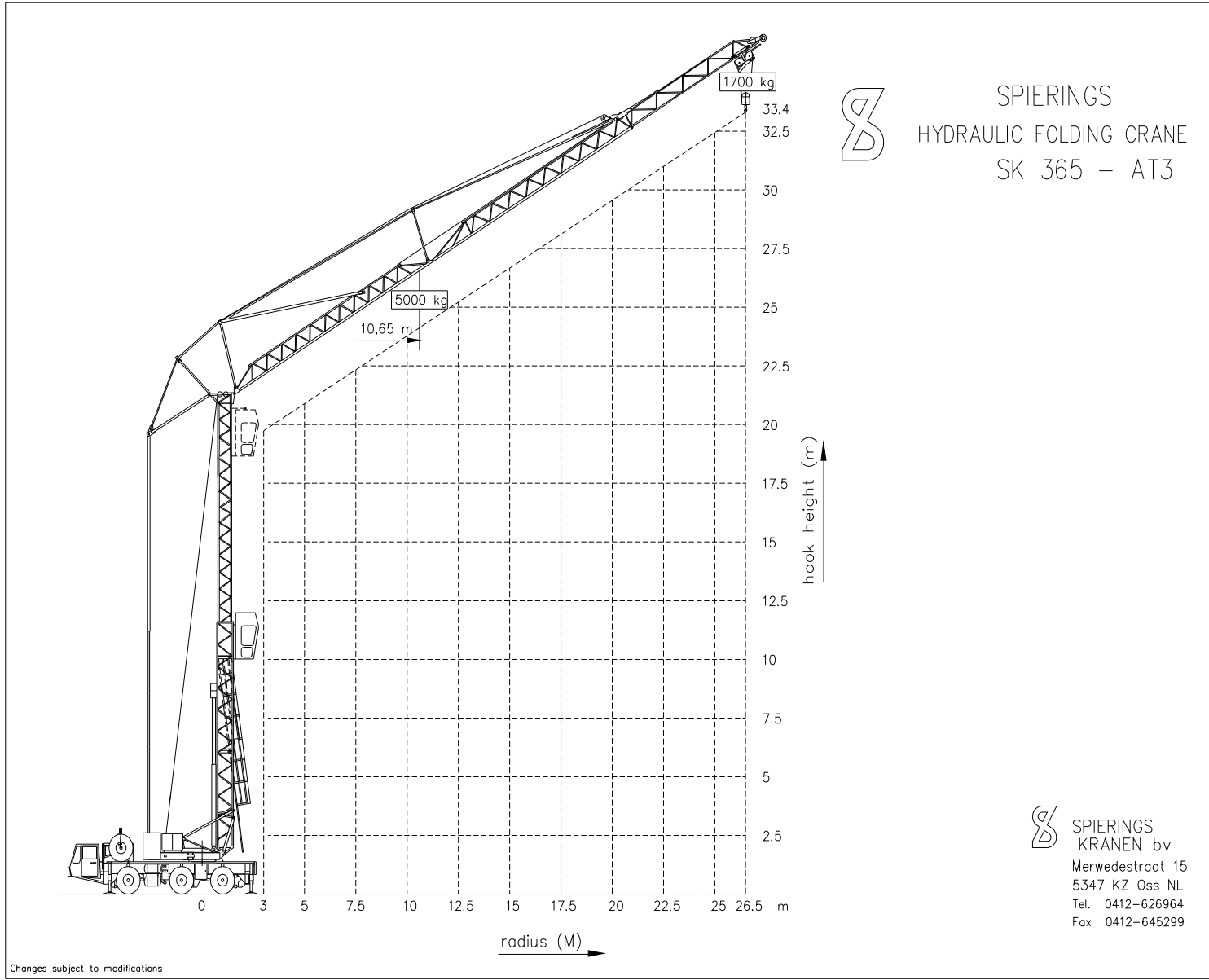


**SPIERINGS**  
**HYDRAULIC FOLDING CRANE**  
**SK 365 - AT3**



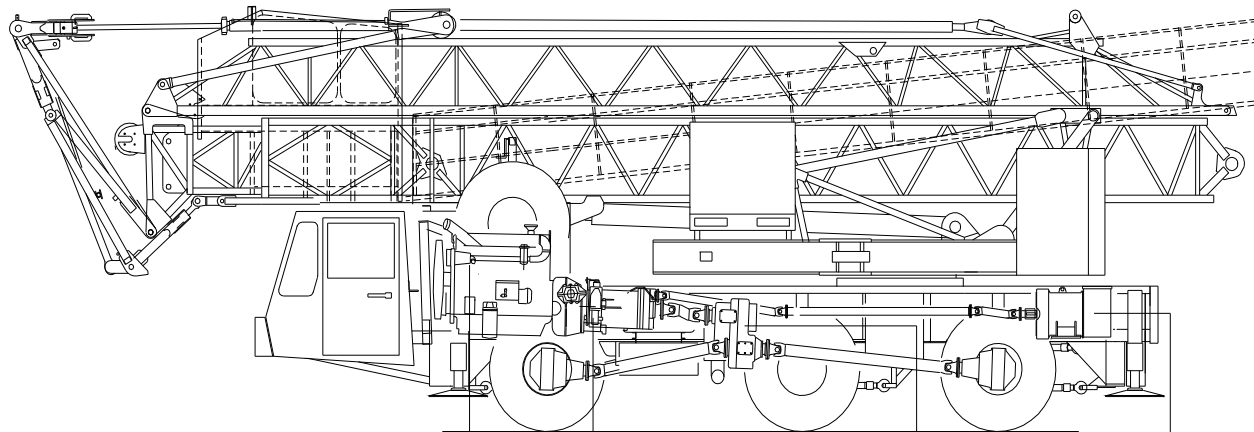
Changes subject to modifications

**SPIERINGS**  
**KRANEN bv**  
Merwedestraat 15  
5347 KZ Oss NL  
Tel. 0412-626964  
Fax 0412-645299




 SPIERINGS  
 KRANEN bv  
 Merwedestraat 15  
 5347 KZ Oss NL  
 Tel. 0412-626964  
 Fax 0412-645299

## Drive train SPIERINGS SK365-AT3



Motor;  
DAF RS 222 L (8,65 ltr.)  
Power: 222 Kw (2300 rpm)  
Torque: 1130 Nm (1400 rpm)

Axle 1

Gearbox ZF 9S109  
Manually operated with air power ass.  
+ dry plate clutch

Axle 2

Axle 3

Transfer case;  
STEYR VG1600/300  
Road gear  $i=1:0,89$   
Off-road gear  $i=1:1,54$

Generator;  
LSA 44.1M3 - 75kVA

Axles 1 and 3 : GINAF axle with DAF differential and DAF end reduction

Axle 2 : GINAF axle, not driven

Suspension: hydro-pneumatic on all axles, stroke ram 160 mm

Max. speed carrier : 80 km/h

Min speed carrier (diesel engine 1000 rpm) : 1,7 km/h

SPIERINGS FOLDING CRANE  
Type SK365-AT3



Merwedestraat 15  
5347 KZ Oss NL  
Tel. 0412-626964  
Fax 0412-645299

subject to modifications